

METAL SOUND PROJECTORS



➤ **CELL 10/T**

➤ **CELL 10/TC**

TECHNICAL SPECIFICATIONS

| | |
|---|---|
| Rated power, Watts | 10 |
| Tappings 100 volt line, Watts | 10/5/2.5/1.25 |
| Transformer Impedance, Ohms, 100V | 1k/2k/4k/8k |
| Tappings 70.7 volt line, Watts | 5/2.5/1.25/0.375 |
| Driver impedance, Ohms | 8 |
| Effective frequency range, Hz (BSEN60268-5) | 120-18,000 |
| S.P.L. @ 1m, 1 watt, dB, Test Signal Bandwidth 100Hz-10 kHz | 91 |
| S.P.L. @ Full power Octave Bandwidth, dB | 101 |
| Acoustic Power (dB-PWL@1 Watt) 1k/2k Hz, dB | 87/90 |
| Dispersion at 1k/2k Hz, Degrees | 180/120 |
| Directivity Axial Q factor, 1k/2kHz | 2.8/5.9 |
| IP Rating | 55 |
| Max/Min Ambient Temp | 70°/-25° |
| Dimensions, front & depth, mm | Ø140 x 191 |
| Net weight, Kgs | 1.9 |
| Colour/Finish White | RAL9016 |
| Material | Aluminium with Stainless Steel hardware |
| Mounting | Aluminium U bracket |

- CELL10/TC is BS5839 Part 8 Voice Alarm compliant but not EN54-24 Certified
- CELL10/T supplied with 300mm, 5 core, non-fire rated cable tail
- Suitable for external use

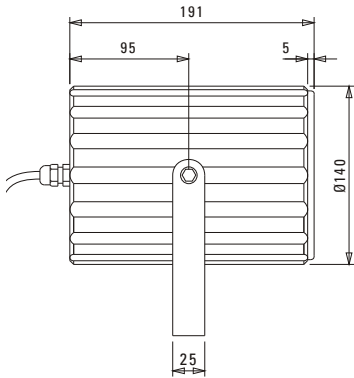
Manufacturer reserves the right to alter specifications without notice

July 2019

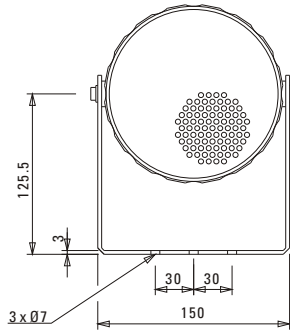
▶ CELL 10/T ▶ CELL 10/TC

METAL SOUND PROJECTORS

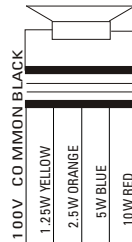
▼ side view
unit: mm



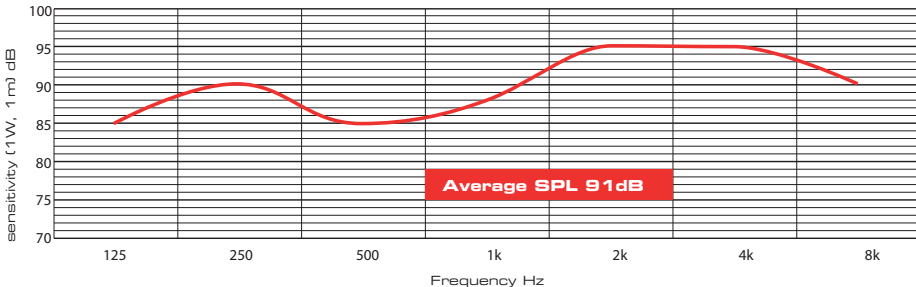
▼ front view
unit: mm



▼ circuit diagram
CELL 10/T



speech octave band sensitivity



Effective Frequency Range ● **CELL 10/T CELL 10/TC** 120Hz - 18,000Hz



Penton UK Ltd

Unit 2 Teville Industrials | Dominion Way | Worthing | West Sussex | BN14 8NW
T: +44 (0)1903 215315 | F: +44(0)1903 215415 | E: SALES@PENTONUK.CO.UK

www.pentonuk.co.uk