

WEATHERPROOF METAL HORN Loudspeaker



➤ MHS20/TC

TECHNICAL SPECIFICATIONS

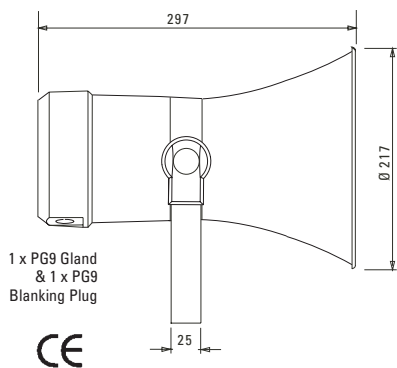
Rated power, Watts	20
Tappings 100 volt line, Watts	20/10/5/2.5/1.25
Transformer Impedance, Ohms, 100V	500/1k/2k/4k
Tappings 70.7 volt line, Watts	10/5/2.5/1.25
Driver impedance, Ohms	20
Effective frequency range, Hz (BSEN60268-5)	300-16,500
S.P.L. @ 1m, 1 watt, dB, Test Signal Bandwidth 100Hz-10 kHz	101
S.P.L. @ Full power Octave Bandwidth, dB	114
Acoustic Power (dB-PWL@1 watt) 1 k/2kHz, dB	100/98
Dispersion at 1k/2k Hz, Degrees	120/80
Directivity Axial Q factor, 1k/2kHz	4.7/12.5
Dimensions, front & depth, mm	Ø217x297
Net weight, Kgs	2.7
Colour/Finish	Grey RAL7035
Material	Die cast aluminium housing
Mounting	Lockable stainless steel U bracket

➤ BS5839 Part 8 voice alarm compliant

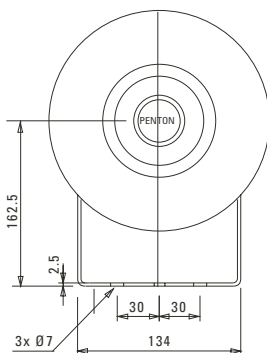
MHS20/TC

WEATHERPROOF METAL HORN LOUDSPEAKER

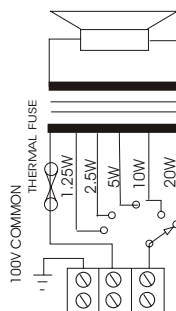
side view
unit: mm



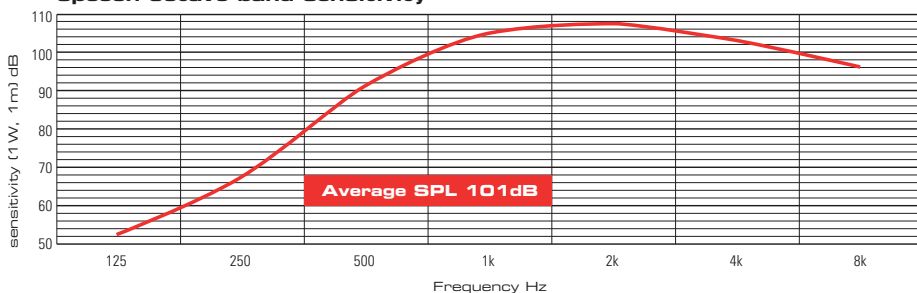
front view
unit: mm



circuit diagram



speech octave band sensitivity



Effective Frequency Range ● MHS20/TC 300Hz - 16,500Hz



Penton UK Ltd

Unit 2 Teville Industrials | Dominion Way | Worthing | West Sussex | BN14 8NW

T: +44 (0)1903 215315 | F: +44(0)1903 215415 | E: SALES@PENTONUK.CO.UK

www.pentonuk.co.uk