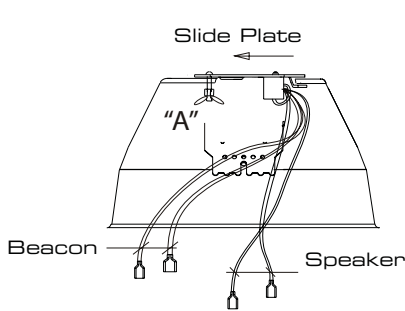


ROUND METAL CEILING LOUDSPEAKER WITH LED STROBE RCS5/FTSL



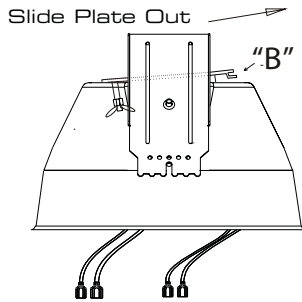
INSTALLATION INSTRUCTIONS

HOLE CUT OUT RCS5/FTSL 164mm



▶ STEP 1
Loosen wingnut "A" (you will NOT have to remove the wing nut completely)

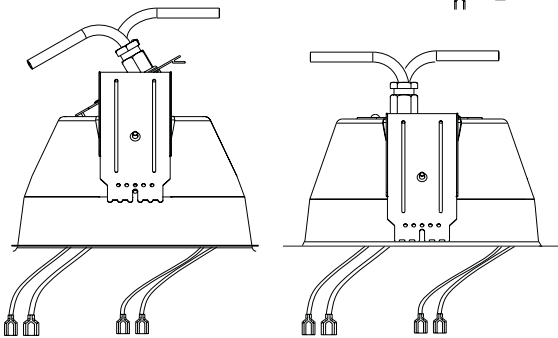
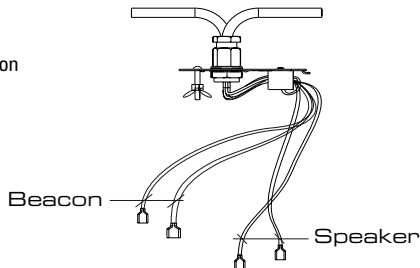
▶ STEP 2
If the wingnut is on e.g. your left slide the whole plate to the left.



▶ STEP 3
This will disengage the retaining clip "B"

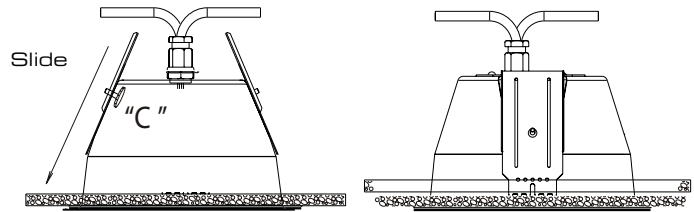
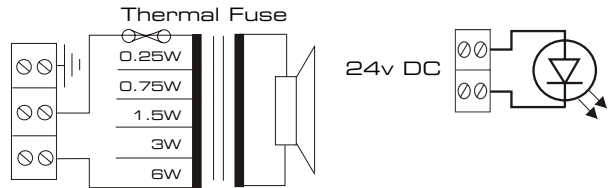
▶ STEP 4
Lift the plate slightly @ "B" and slide the plate right until clear of the dome.

▶ STEP 5
Wire plate with both Beacon & Speaker circuit.



▶ STEP 6
Re fit plate to dome and tighten wingnut.

RCS5/FTSL
Circuit diagram 100V Common



FITTING THE DOME INTO A CEILING

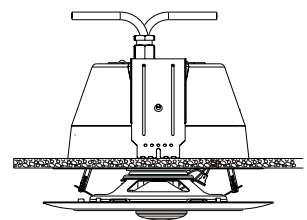
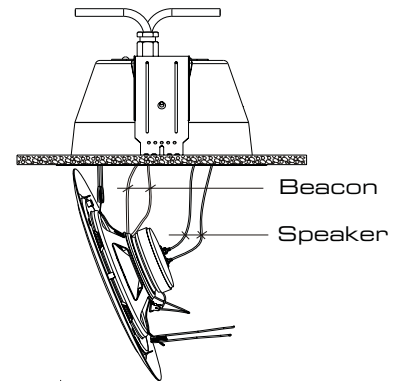
▶ STEP 7
Loosen the slider knob "C", push the knob & plate upwards to the top of the fire dome and re-tighten the knob to hold the slider in place. Repeat the same process with the other slider.

▶ STEP 8
Push the complete fire dome into the cut-out.

FITTING THE SPEAKER

▶ STEP 9
Compress "V" spring and fit into the retaining ear within the dome. Connect leads to the speaker transformer.

▶ STEP 10
Fit second "V" clip into second retaining ears and gently push the speaker up into the dome (do not push the central perforated grille area) the speaker will self locate into the dome.



Penton UK Ltd

Unit 2 Teville Industrials | Dominion Way | Worthing | West Sussex | BN14 8NW
T: +44 (0)1903 215315 | F: +44(0)1903 215415 | E: sales@pentonuk.co.uk

www.pentonuk.co.uk

NOVEMBER 2011



RoHS

