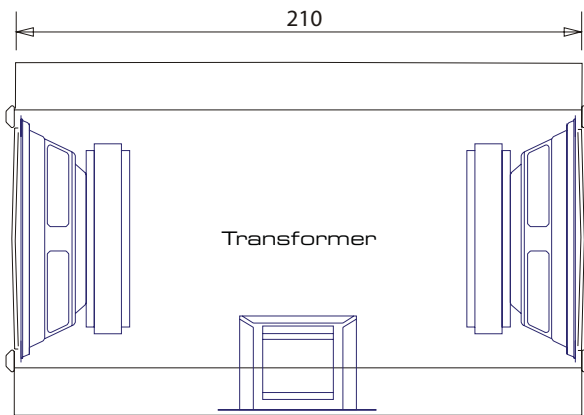


VANDALPROOF BI-DIRECTIONAL METAL CABINET LOUDSPEAKERS

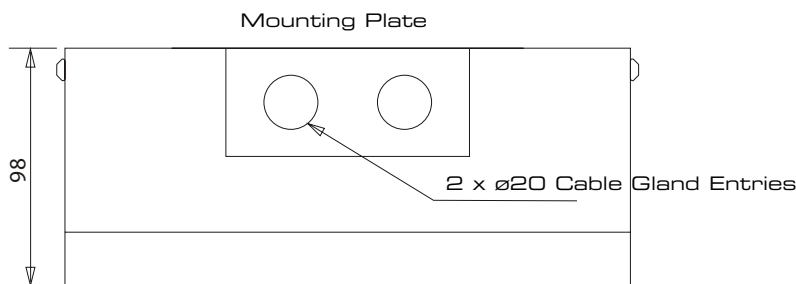
SENTRY6/BDTC



INSTALLATION INSTRUCTIONS

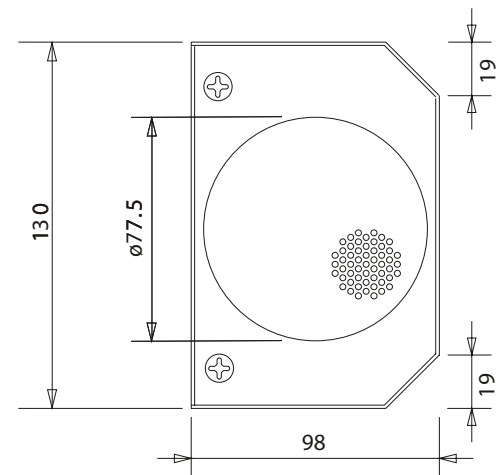
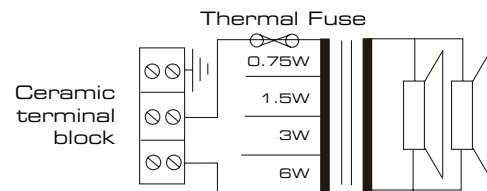


Front View



Top View

SENTRY6/BDTC Circuit diagram 100V Common



Side View

unit: mm

STEP 1

You can cable this unit via the cable entry in the centre of the mounting plate or by the 2 x 20mm cable entries to be found at the top of the same plate. See above drawing.

STEP 2

Take the mounting plate from the loudspeaker by removing the 4 x M4 x 12mm cross head screws.

STEP 3

Secure the back plate to a flat surface using the fixing holes provided.

STEP 4

Once the cable has entered the unit, terminate the 100 volt line supply via the ceramic terminal block provided to your required volume as shown on the circuit diagram.

STEP 5

Reverse the process requested in item 2 and slide the loudspeaker cabinet onto the mounting plate and replace the 4 screws previously removed.



Penton UK Ltd

Unit 2 Teville Industrials | Dominion Way | Worthing | West Sussex | BN14 8NW
T: +44 (0)1903 215315 | F: +44(0)1903 215415 | E: sales@pentonuk.co.uk

www.pentonuk.co.uk

NOVEMBER 2011



RoHS

