

# ROUND METAL CEILING NETWORK LOUDSPEAKER (PoE)

## ➤ RCS5-IP



The RCS5-IP is a 20W, IP ceiling loudspeaker for voice, paging, intercom, music streaming, audio routing, pre-recorded and scheduled announcements, VoIP communication or as a SIP endpoint.

The RCS5-IP incorporates three control inputs for third party control or source selection (using the RAC 5/8 controllers) and one output contact for triggering events. To configure, control and monitor the IP speakers in real-time, this is simply done through your favourite web browser, making the management of even the most complex environments a simple and straight forward process.

### TECHNICAL SPECIFICATIONS

EN 55032, EN55035, EN 61000-3-2, EN 61000-3-3

#### ELECTRICAL

Rated power, Watts	20
Effective Frequency Range, Hz (BSEN60268-5)	65 – 18,500
S.P.L. @ 1m, 1watt, dB, Octave, 100Hz-10kHz	95
S.P.L. @ 1m, Full Power, dB, Octave, 100Hz-10kHz	103
Dispersion at 1k/2k Hz, Degrees	180/110
Power Supply	PoE+ 24VDC power transformer (18 – 24VDC), minimum power supply: 2A

#### ENVIRONMENTAL

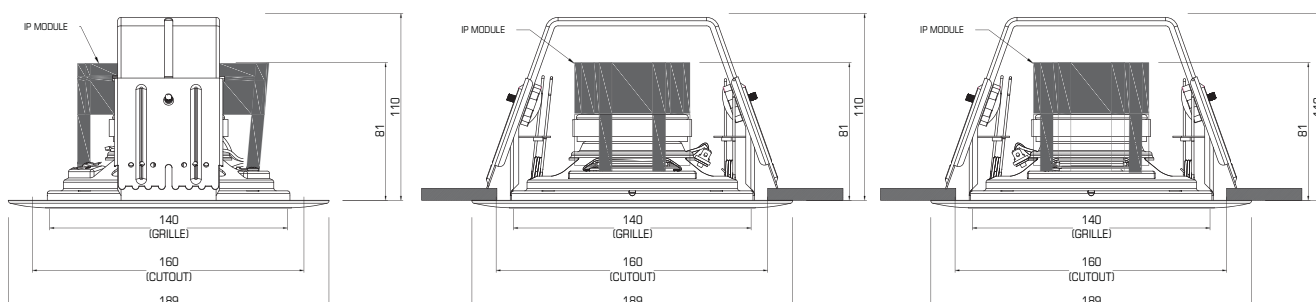
IP-Rating	21 or higher using our CRSC/6 weatherproof cover
Max/Min Amb Temp	-10°C to 55°
Relative Humidity	N/A

#### MECHANICAL

Dimensions: diameter, mm	Ø189, Height 110
Net Weight: kg	1.73
Colour (Unless Specified)	White RAL9016
Material	Steel
Mounting	Torsion Springs, Mounting Bracket
Cut-out: mm	Ø160

#### FEATURES

- Configured, controlled, managed and monitored via web browser
- 3 control inputs for level control and source selection using the RAC 5/8 controller
- 1 relay contact output
- Network audio codec: G.711, G.722, WAV, mp3
- 3rd party control with TERRACOM® system
- Support VoIP call via SIP protocol

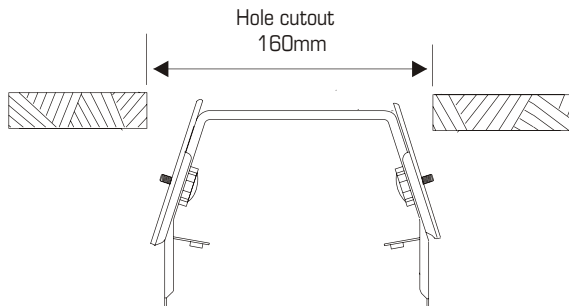


# ROUND METAL CEILING NETWORK LOUDSPEAKER (PoE)

## ▶ RCS5-IP

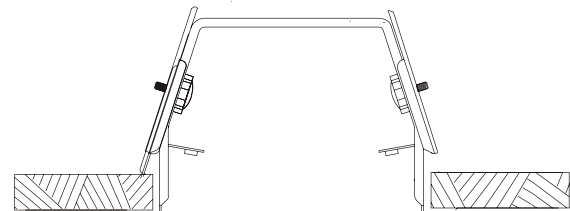


### INSTALLATION INSTRUCTIONS



#### ▶ STEP 1

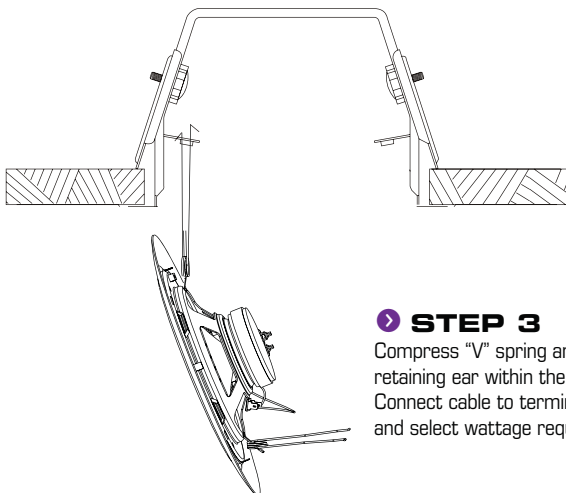
Cut the required hole for the speaker



#### ▶ STEP 2

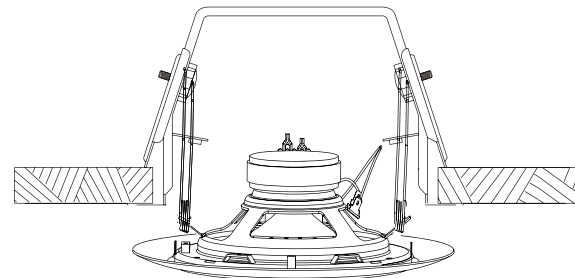
Loosen the retaining sliders and push to the top of the bracket. Once the bracket is through the hole pull down the sliders and tighten the retaining nut clamping the ceiling

### FITTING THE SPEAKER



#### ▶ STEP 3

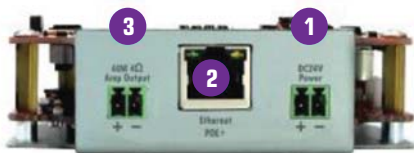
Compress "V" spring and fit into the retaining ear within the bracket. Connect cable to terminal block and select wattage required.



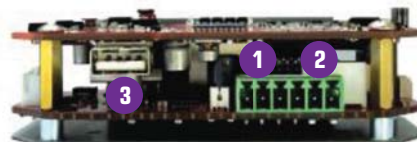
#### ▶ STEP 4

Fit second "V" clip into second retaining ears and gently push the speaker up into the bracket (do not push the central perforated grille area) the speaker will self locate into the bracket.

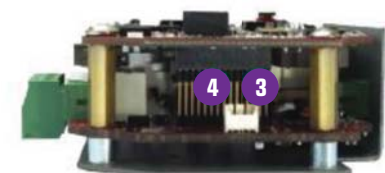
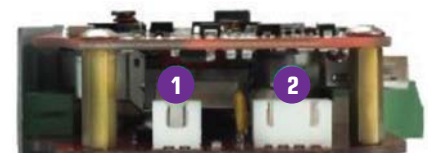
### SPEAKER CONNECTIONS



1. 24VDC power input
2. RJ45 connector Ethernet
3. Speaker connection - 1 channel 20W



1. 3 logic control inputs
2. 1 contact output
3. USB interface (function reserved - Not available)



1. LED strobe connector (+/-)
2. Clock module interface
3. Power LED (+/-)
4. Status LED (+/-)



### Penton UK Ltd

Unit 2 Teville Industrials | Dominion Way | Worthing | West Sussex | BN14 8NW  
T: +44 (0)1903 215315 | F: +44(0)1903 215415 | E: SALES@PENTONUK.CO.UK