

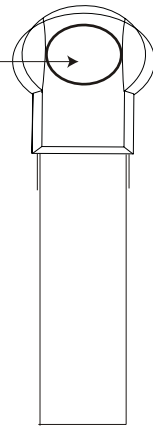
METAL COLUMN LOUDSPEAKERS

MHS20/TC

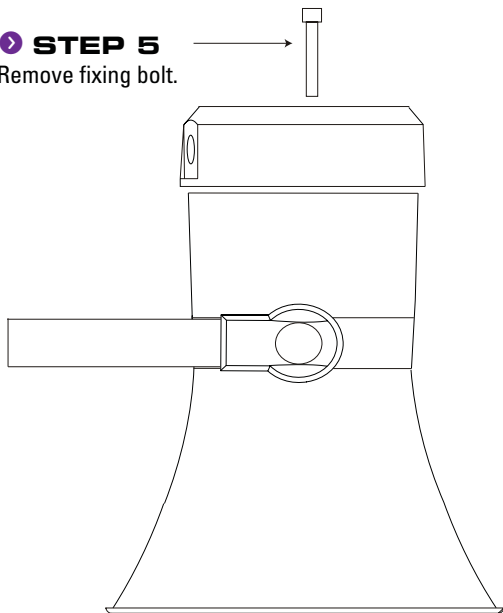


INSTALLATION INSTRUCTIONS

- **STEP 1**
Remove bolt cover cap.
- **STEP 2**
Loosen bolt.
- **STEP 3**
Adjust to required angle in a ratchet formation.
- **STEP 4**
Tighten bolt & replace cover.

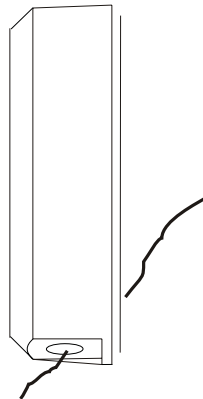


- **STEP 5**
Remove fixing bolt.

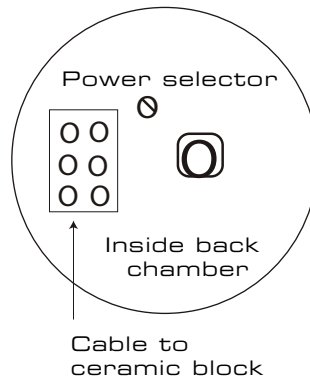


Side View

- **STEP 6**
Gland cable through back lid.

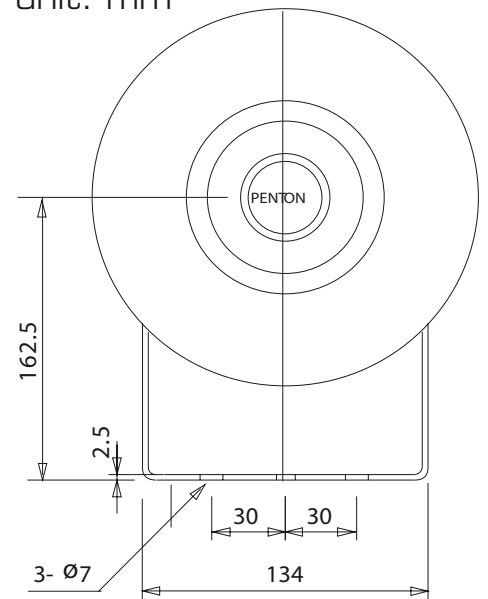


- **STEP 7**
Terminate to ceramic block.



- **STEP 8**
Secure gland(s).
- **STEP 9**
Replace Lid ensuring gasket is fitted correctly.

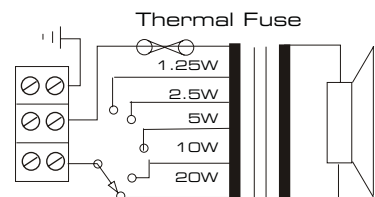
unit: mm



Front View

Top view of speaker for termination to ceramic block and 100 volt line power selector switch

MHS20/TC
Circuit diagram 100V Common



Penton UK Ltd

Unit 2 Teville Industrials | Dominion Way | Worthing | West Sussex | BN14 8NW
T: +44 (0)1903 215315 | F: +44(0)1903 215415 | E: sales@pentonuk.co.uk

www.pentonuk.co.uk

NOVEMBER 2011



RoHS

