

# WEATHERPROOF HORN Loudspeakers



- PH10/T
- PH10/TC

## TECHNICAL SPECIFICATIONS

Rated power, Watts	10
Tappings 100 volt line, Watts	10/5/2.5/1.25
Transformer Impedance, Ohms, 100V	1k/2k/4k/8k
Tappings 70.7 volt line, Watts	5/2.5/1.25/0.625
Driver impedance, Ohms	20
Effective frequency range, Hz (BSEN60268-5)	400-8,000
S.P.L. @ 1m, 1 watt, dB, Test Signal Bandwidth 100Hz-10 kHz	97
S.P.L. @ Full power Octave Bandwidth, dB	107
Acoustic Power (dB-PWL@1 watt) 1 k/2kHz, dB	95/97
Dispersion at 1k/2kHz, Degrees	180/110
Directivity Axial Q factor, 1 k/2kHz	2.8/6.6
IP Rating	56
Max/Min Ambient Temp	70°/-25°
Dimensions, front & depth, mm	Ø138 x 200
Net weight, Kgs	1.30
Colour/Finish	Grey RAL7035
Material	ABS plastic housing with UV inhibitors
Mounting	Stainless Steel U Bracket

- PH10/TC is BS5839 Part 8 Voice Alarm compliant but not EN54-24 Certified
- PH10/T Supplied with 300mm, 5 core, non-fire rated cable tail
- PH10/TC Fire Rated Cable can be supplied on request
- Suitable for external use

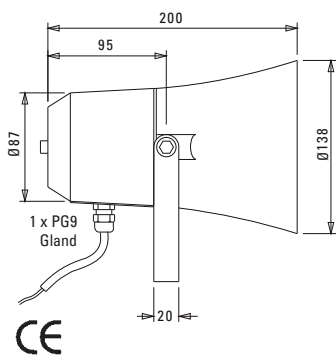
Manufacturer reserves the right to alter specifications without notice

September 2016

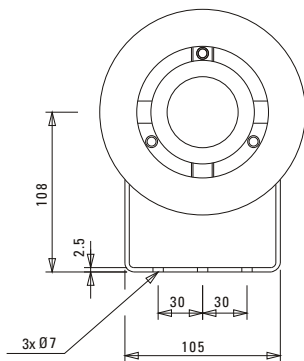
# ▶ PH10/T ▶ PH10/TC

WEATHERPROOF HORN LOUSPEAKERS

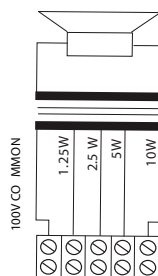
side view  
unit: mm



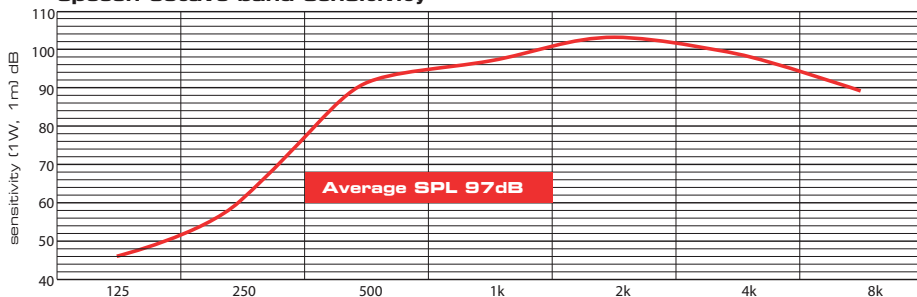
front view  
unit: mm



circuit diagram  
**PH10/T**



speech octave band sensitivity



Effective Frequency Range ● PH10/T PH10/TC 400Hz - 8,000Hz



**Penton UK Ltd**

Unit 2 Teville Industrials | Dominion Way | Worthing | West Sussex | BN14 8NW

T: +44 (0)1903 215315 | F: +44(0)1903 215415 | E: SALES@PENTONUK.CO.UK

[www.pentonuk.co.uk](http://www.pentonuk.co.uk)